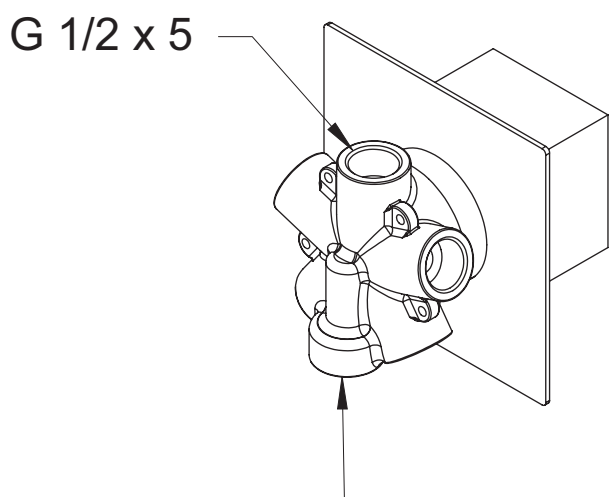
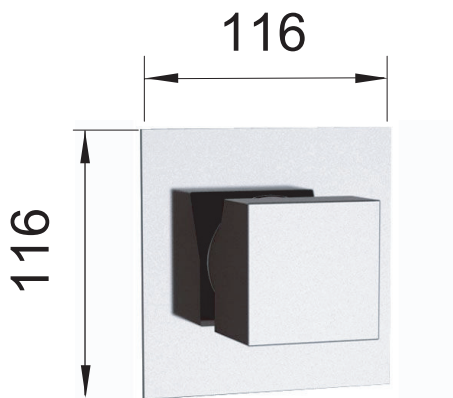
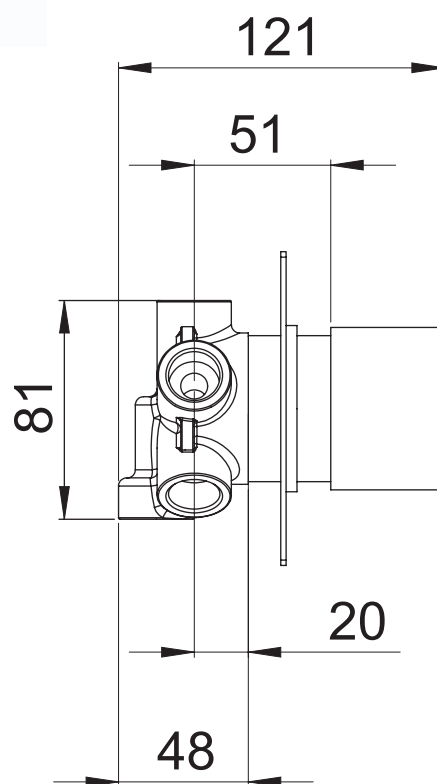


ART. COD.

**Q 34 DEV 5**



ENTRATA ACQUA MISCELATA  
MIXED WATER INLET



**MATERIALI / MATERIALS**

OTTONE CROMATO / CHROME PLATED BRASS

**CROMATURA / CHROME PLATING**

UNI EN 248